

# S-series

101 system

CLIP-IN CEILING SYSTEM 暗架天花系統



10

**DRAGON**<sup>TM</sup> S101 Clip-in ceiling system is a saeled ceiling design. Each panel is clamped with the Spring tee runner (S-101) tightly to hide the suspension parts in the ceiling. Setting up together with DRAGON special light fittings and air-diffusers can give the best effect of the ceiling.

## Suspension

The ceiling is suspended by Spring tee runner (S-101) which is fixed at the bottom of the C-channel (C-62) connected by Runner clamp (S-102) with distance 600mm centre to centre.

**天龍牌** S101 暗架天花系統是一種密閉式的天花設計，採用夾入式三角龍骨 (S-101)，組成一幅隱閉式龍骨的平面天花。

## 吊掛系統

在圖B中，該系統主要由三角龍骨(S-101)懸掛整幅天花，使用三角龍骨吊碼(S-102)把三角龍骨扣於C型龍骨(C-62)的底部，每支三角龍骨距離中至中為600mm。

Model No. 型號	Dimension 規格尺寸
S1-300	300 x 300 mm
S1-500	500 x 500 mm
S1-600	600 x 600 mm
S1-3060	300 x 600 mm
S1-30120	300 x 1200 mm
S1-40120	400 x 1200 mm
S1-45120	450 x 1200 mm
S1-6090	600 x 900 mm
S1-60120	600 x 1200 mm

Model No. 型號	Parts Name 組件名稱
1. S1-Panel	Ceiling Panel 暗架天花板
2. S-101	Spring Tee Runner 三角龍骨
3. S-102	Runner Clamp 三角型龍骨吊碼
4. S-103	Runner Connector 三角型龍骨駁碼
5. C-62A	C-Channel Bracket C型龍骨吊碼
6. C-62	C-Channel C型副龍骨
7. S-107	Security Clip 防風碼

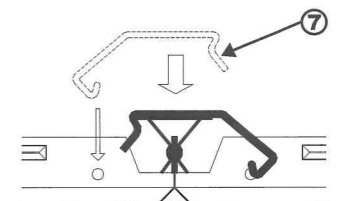


Fig 圖C

## Suspension Drawing : 101 Clip-in Ceiling System

吊掛示意圖：101 暗架天花系統

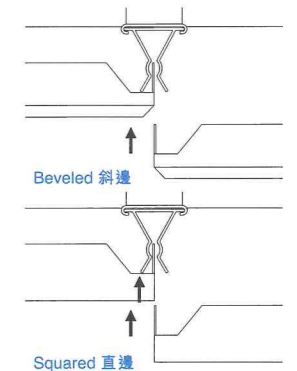
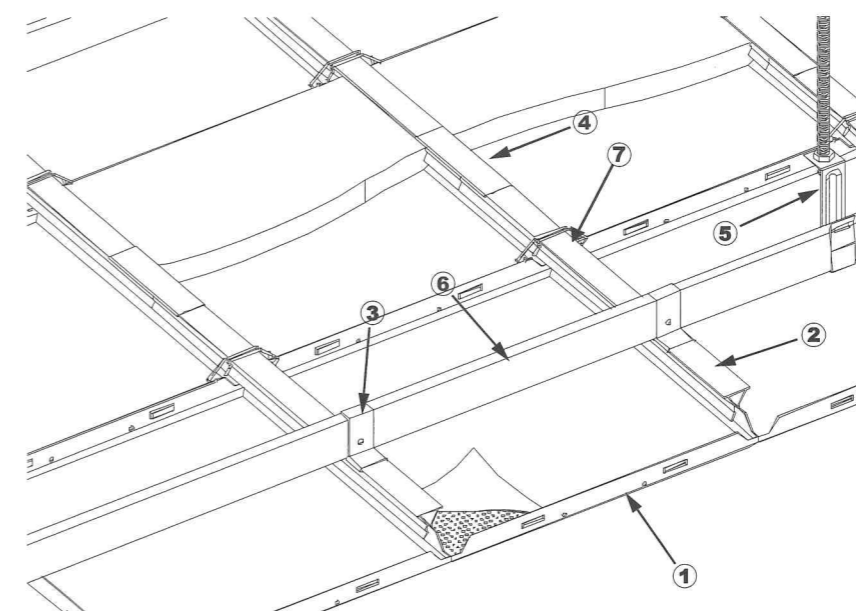


Fig 圖A

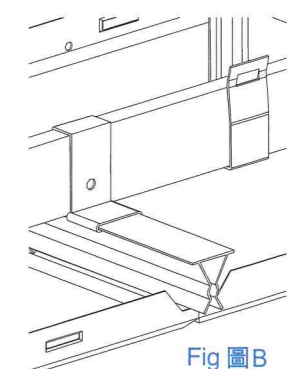


Fig 圖B

11

# S-series

102 system

CLIP-IN CEILING SYSTEM 暗架天花系統



12

**DRAGONZING** S102 Clip-in ceiling system is a sealed ceiling design. Each panel is clamped with the A-shape runner (S-201) tightly to hide the suspension parts in the ceiling.

## Suspension

The ceiling is suspended by two levels of A-shape runners which are cross fixed by the 1st Runner clamp (S-202). The whole of suspension frame is hanged by 2nd Runner Clamp (S-204).

**天龍牌** S102 暗架天花系統是一種密閉式的天花設計，採用夾入式A字龍骨(S-201)，組成一幅隱閉式的平面天花。

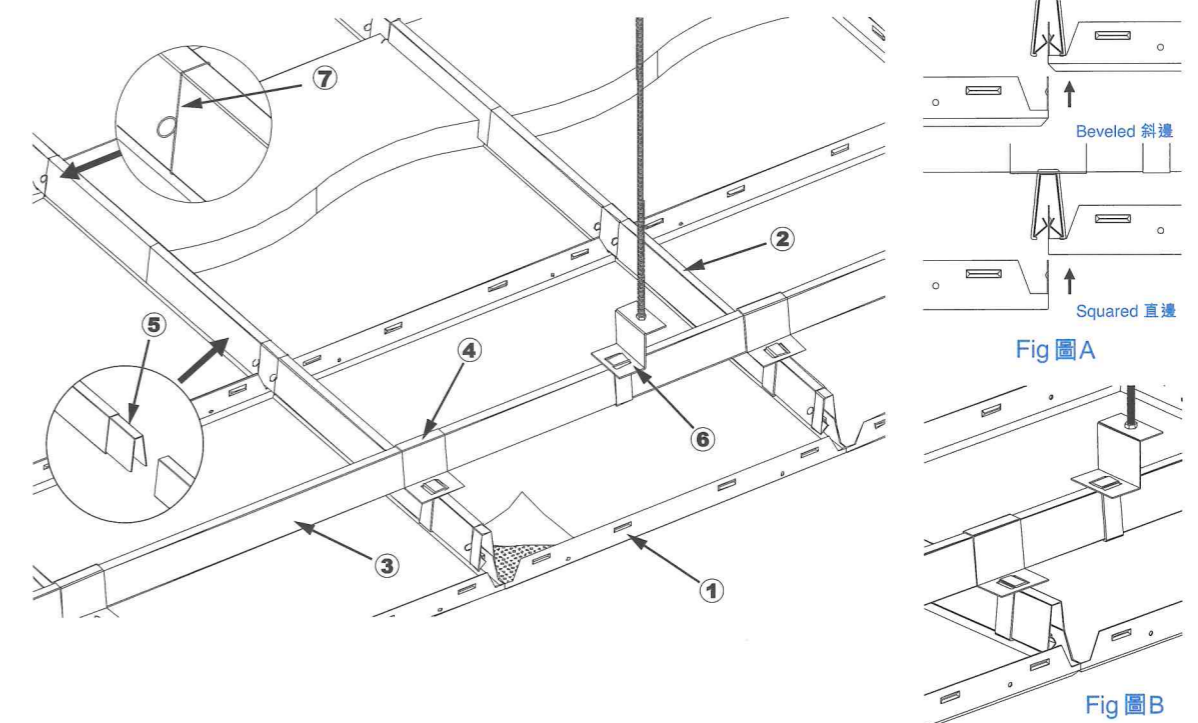
## 吊掛系統

吊掛系統主要由兩層A字龍骨組成吊掛系統，使用第一層A字龍骨吊碼(S-202)把兩層龍骨扣在一起。而整個由龍骨框架則由第二層A字龍骨吊碼(S-204)懸掛。

Model No. 型號	Dimension 規格尺寸
S2- 300	300 x 300 mm
S2- 500	500 x 500 mm
S2- 600	600 x 600 mm
S2- 3060	300 x 600 mm
S2- 30120	300 x 1200 mm
S2- 45120	450 x 1200 mm
S2- 6090	600 x 900 mm
S2- 60120	600 x 1200 mm

Model No. 型號	Parts Name 組件名稱	
1. S2-Panel	Ceiling Panel	暗架天花板
2. S-201	A-shape Runner	A字龍骨 (第一層)
3. S-201	A-shape Runner	A字龍骨 (第二層)
4. S-202	1st Runner Clamp	A字龍骨吊碼 (第一層)
5. S-203	Runner Connector	A字龍骨駁碼
6. S-204	2nd Runner Clamp	A字龍骨吊碼 (第二層)
7. S-206	Security Clip	天花板防風碼

Suspension Drawing : 102 Clip-in Ceiling System  
吊掛示意圖：102 暗架天花系統



13

# S-series

103 system

CLIP-IN CEILING SYSTEM 暗架天花系統



14

**DRAGON ZING** S103 Clip-in ceiling system is a sealed ceiling design. Each panel is clamped with the ball shape runner (S-301) tightly to hide the suspension parts in the ceiling.

## Suspension

The ceiling is suspended by two level of runner. O-shape runner and Positioned runner (UL1-102) are cross fixed by Runner clamp (S-302). Carrier bracket (UL1-103) hangs the Positioned carrier individually.

**天龍牌** S103 暗架天花系統是一種密閉式的天花設計，採用夾入式球型龍骨(S-301)，組成一幅隱閉式龍骨的平面天花。

## 吊掛系統

主要由球型龍骨及定位C型龍骨(UL1-102)組成吊掛系統。使用球型龍骨吊碼(S-302)把兩層龍骨扣在一起，而定位C型龍骨吊碼(UL1-103)則獨立懸掛各支龍骨。

Model No. 型號	Dimension 規格尺寸
S3- 300	300 x 300 mm
S3- 500	500 x 500 mm
S3- 600	600 x 600 mm
S3- 3060	300 x 600 mm
S3- 30120	300 x 1200 mm
S3- 45120	450 x 1200 mm
S3- 6090	600 x 900 mm
S3- 60120	600 x 1200 mm

Model No. 型號	Parts Name 組件名稱
1. S3-Panel	Ceiling Panel 暗架天花板
2. S-301	O-shape Runner 球型龍骨
3. S-302	Runner Clamp 球型龍骨吊碼
4. S-303	Runner Connector 球型龍骨駁碼
5. UL1-103	Carrier Bracket 定位C型龍骨吊碼
6. UL1-102	Positioned Carrier 定位C型龍骨

Suspension Drawing : 103 Clip-in Ceiling System  
吊掛示意圖：103 暗架天花系統

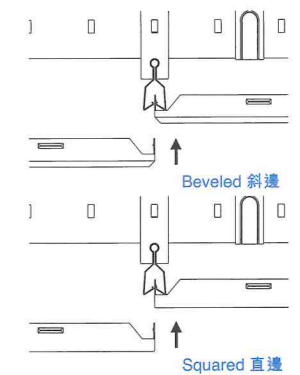
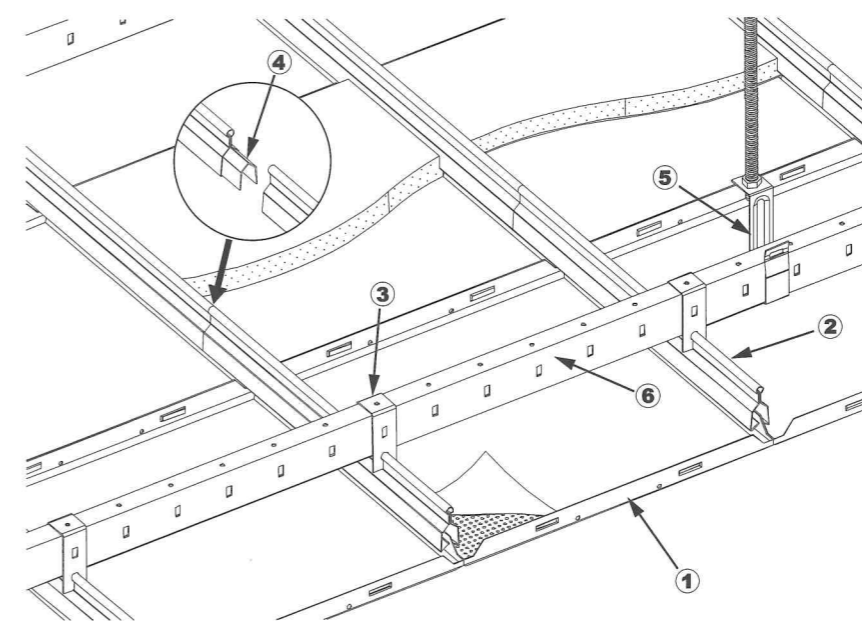


Fig 圖A

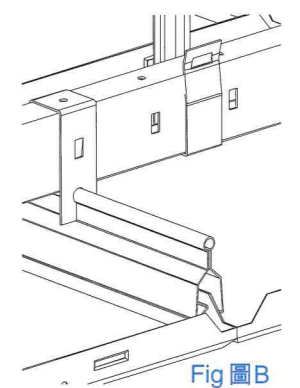


Fig 圖B

15